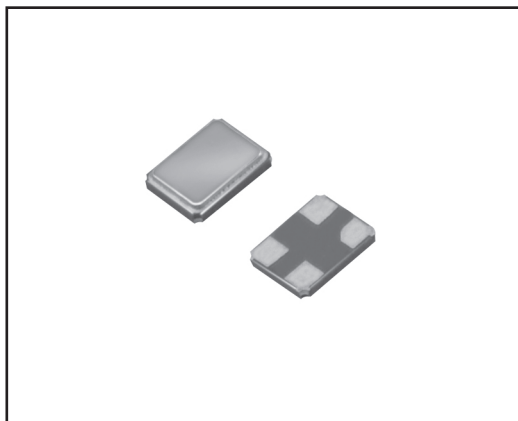


# 3.2x2.5 SMD OSCILLATOR



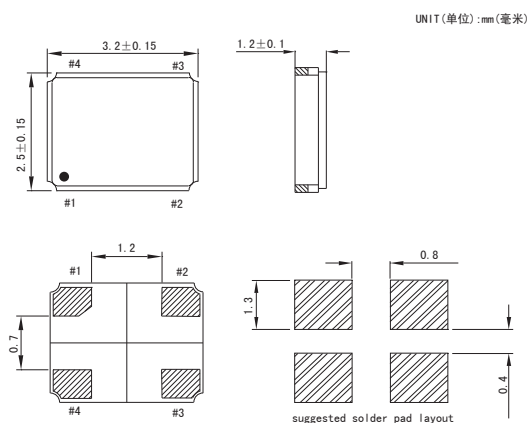
## Part Number Guide

T (Type 型号): L=3.2X2.5X1.2mm Max ceramic osc  
 V (Input Voltage 输入电压): 1.8=1.8V 2.5=2.5V 2.85=2.85V 3=3.3V 5=5.0V, etc  
 S (Symmetry 占空比): 5=45/55max 6=40/60 max  
 F (Frequency 标称频率)  
 FS (Frequency Stability 频率稳定性): 50=±50 ppm, etc  
 OT (Operating Temperature 工作温度): 0070= 0°C to +70°C 3080= -30°C to +80°C, etc  
 OP (Out put 输出): 1=15PF HCMOS 2=10TTL 3=30PF 4=50PF (5.0V only) 5=10TTL/ 15PF  
 TR (Tape and Reel 编带)  
 S (Special Requirement 特殊要求)

## Electrical Specifications 电气参数

型号	Holder Type	3.2x2.5mm SMD OSCILLATOR	
频率范围	Frequency Range	1.544 Mhz to 100.000 Mhz	
总频差	Frequency Stability	±25ppm to ±50ppm	
输入电压	Supply Voltage	5.0V or 3.3V ±10%	
工作温度范围	Operating Temperature Range	-10°C - +60°C to -40°C - +85°C	
储存温度范围	Storage Temperature Range	-40°C - +85°C/-55°C - +125°C	
占空比	Symmetry (Duty Cycle)	40/60 Standard	
输出	Output Load	15pF Hcmos or 10 TTL	
消耗电流	Current Consumption (15pf only)	1.544Mhz - 35.999Mhz=25mA max	
		(5.0V)	36.000Mhz - 69.999Mhz=60mA max
		70.000Mhz - 100.000Mhz=80mA max	
	Current Consumption (15pf only)	1.544Mhz - 35.999Mhz=20mA max	
		(1.8V 2.5V 2.85V 3.3V)	36.000Mhz - 69.999Mhz=40mA max
		70.000Mhz - 100.000Mhz=60mA max	
上升/下降时间	Rise/Fall Time	10nS max	

## Mechanical Dimensions 外型尺寸



PIN	FUNCTION
1	N/C or Tri-state
2	Ground
3	Output
4	Vdd